



Product designation				Enclosed switch disconnecter
Product type designation				GAZS
Number of poles		Nr.		3
Operating voltage type				AC
<b>Contact characteristics</b>				
IEC Conventional free air thermal current $I_{th} \leq 40^\circ\text{C}$		A		25
Rated insulation voltage $U_i$ IEC/EN		V		1000
Rated impulse withstand voltage $U_{imp}$		kV		8
Operating current $I_e$				
AC21A				
	400V	A		25
	500V	A		25
	690V	A		25
AC22A				
	400V	A		25
	500V	A		25
	690V	A		25
AC23A				
	400V	A		25
	500V	A		25
	690V	A		25
Power dissipation per pole max		W		0.4
Rated operational power AC23A				
	400V	kW		11
	690V	kW		22
Conditional short-circuit current (rms)		kA		10
Short-circuit protection with fuse		Class/A		gG25
Making capacity AC23A 400V		A		400
Breaking capacity AC23A 400V		A		320
Mechanical life		cycles		100000
Electrical life AC21A		cycles		100000
<b>Mechanical features</b>				
Operating position		normal allowable		Vertical plan Any
Terminals				
	type			Pillar
	width	mm		5.6
	height	mm		6.5
	screw			M4
	tool			Phillips 2
Tightening torque for terminals				
	min	Nm		1.8
	max	Nm		2

	min	lbin	16
	max	lbin	18

Conductor section

IEC min	mm <sup>2</sup>	0.75
IEC max	mm <sup>2</sup>	16
AWG/kcmil min		18
AWG/kcmil max	kcmil	6

Ambient conditions

Operating temperature

min	°C	-25
max	°C	+55

Storage temperature

min	°C	-40
max	°C	+70

Max altitude

m	3000
---	------

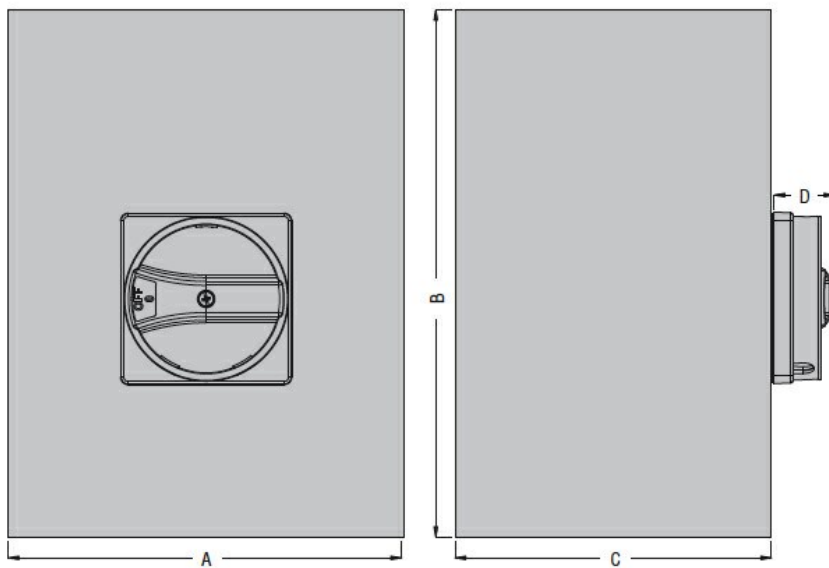
Resistance & Protection

Frontal IP degree	IP65
-------------------	------

IP degree of protection	IP65
-------------------------	------

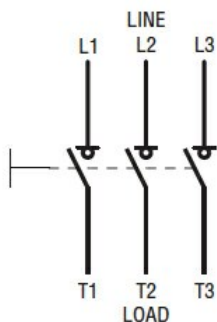
Pollution degree	3
------------------	---

Dimensions



Type	A	B	C	D
GAZS016...GAZS100...	150 (5.90")	200 (7.87")	120 (4.72")	23 (0.90")

Wiring diagrams



Certifications and compliance

Compliance

IEC/EN TYPE IP65 STAINLESS STEEL AISI 304 ENCLOSURE SWITCH DISCONNECTOR,  
THREE-POLE. WITH ROTATING RED/YELLOW HANDLE, 25A. ENCLOSURE DIMENSIONS:  
150X200X120MM/5.9X7.9X4.7"

IEC/EN 60947-1  
IEC/EN 60947-3

---

ETIM classification

ETIM 8.0

EC000216 -  
Switch  
disconnecter